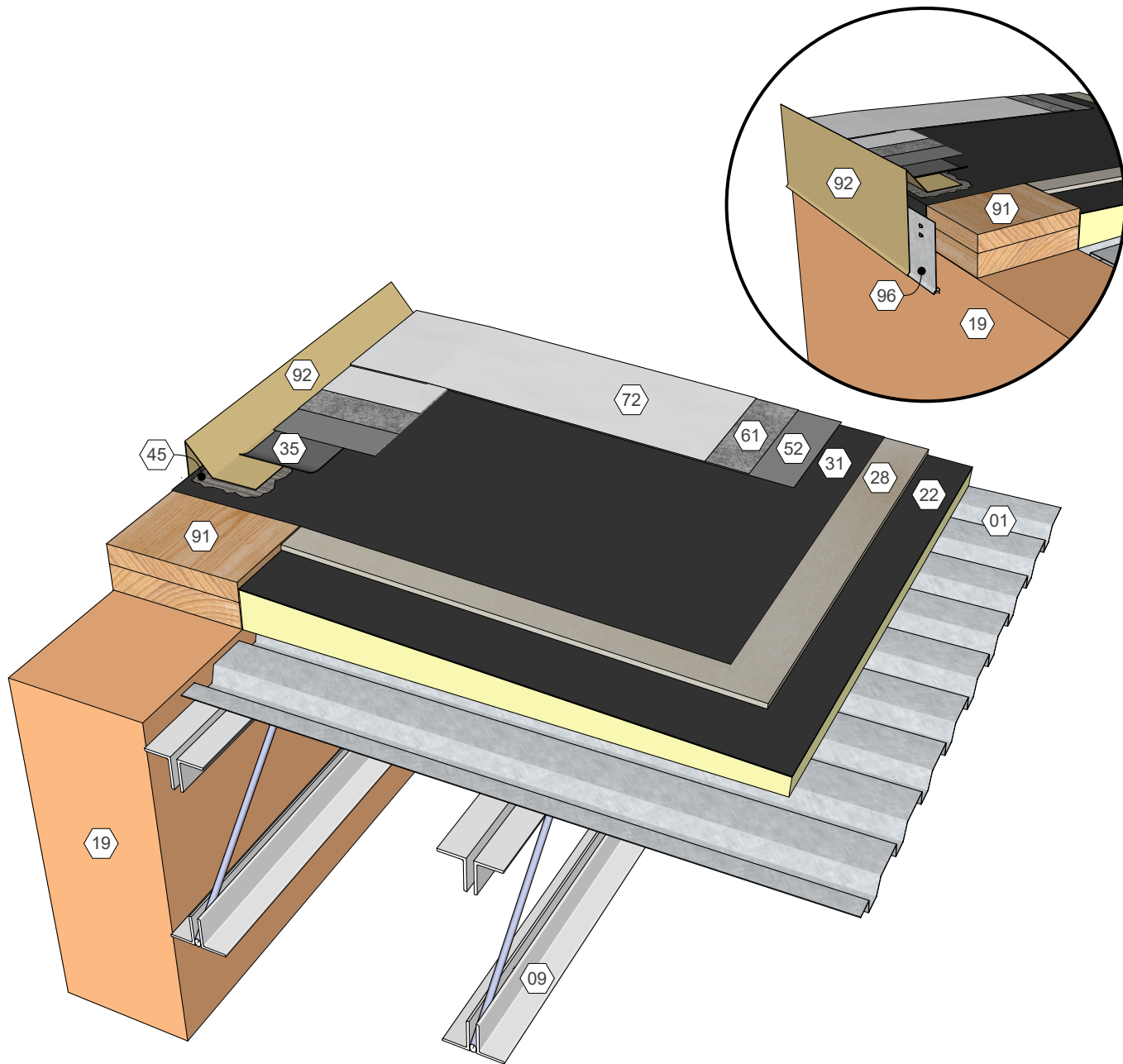


KEY NOTES

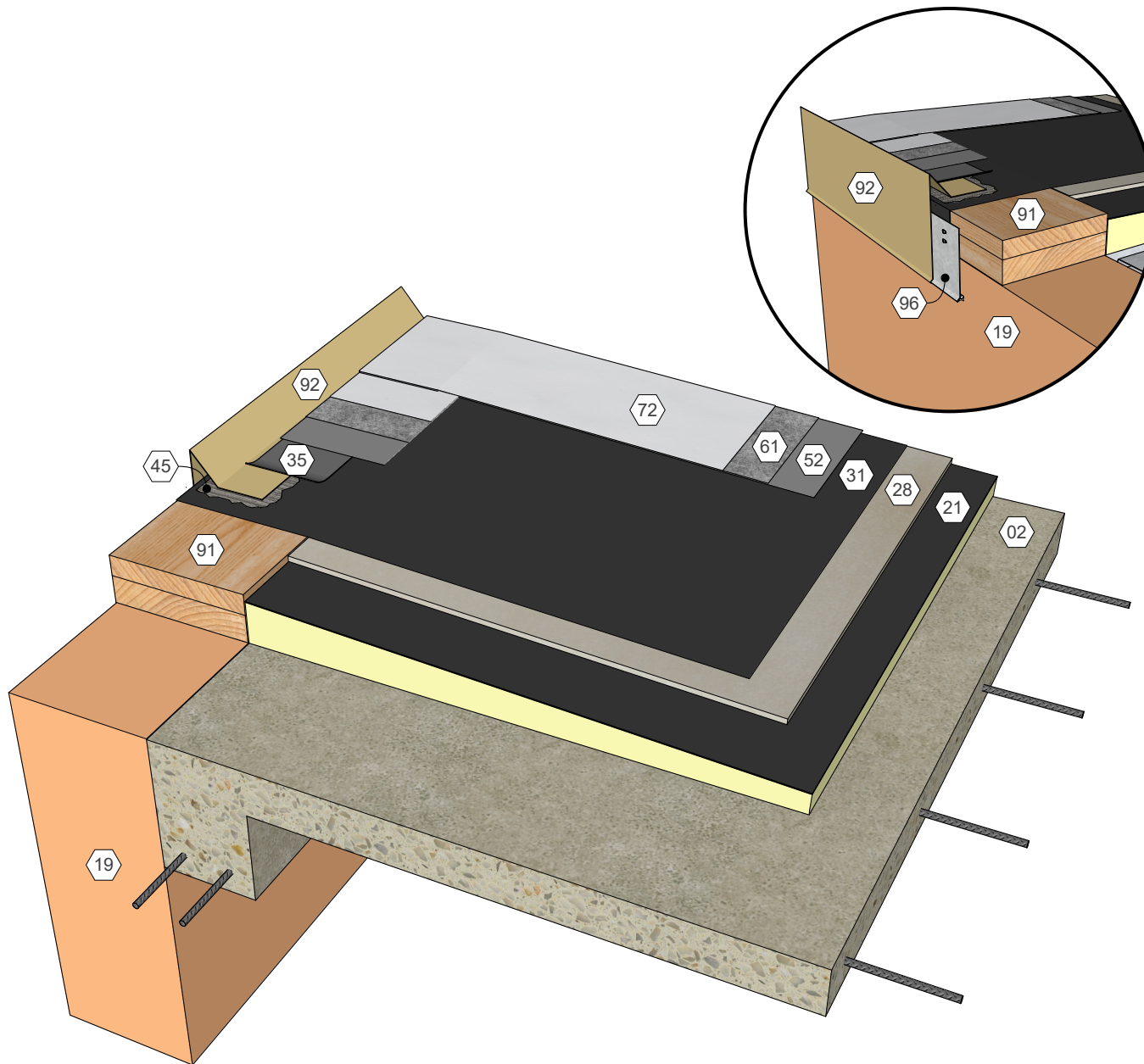
- 01 Metal Deck
- 09 Roof Structure
- 19 Wall Assembly
- 22 Polyisocyanurate Insulation (Fastened or Adhered)
- 28 Cover Board (Adhered)
- 31 Approved Base Ply Sheet
- 35 Stripping Ply
- 45 Roofing Mastic
- 52 AlphaGuard BIO Base Coat
- 61 AlphaGuard Glass Mat or Permafab
- 72 AlphaGuard BIO Top Coat
- 91 Wood Blocking
- 92 Gravel Stop Edge
- 96 Cont. Cleat



AlphaGuard® BIO Plus Gravel Stop Edge Detail, Metal Deck
Detail 23031

KEY NOTES

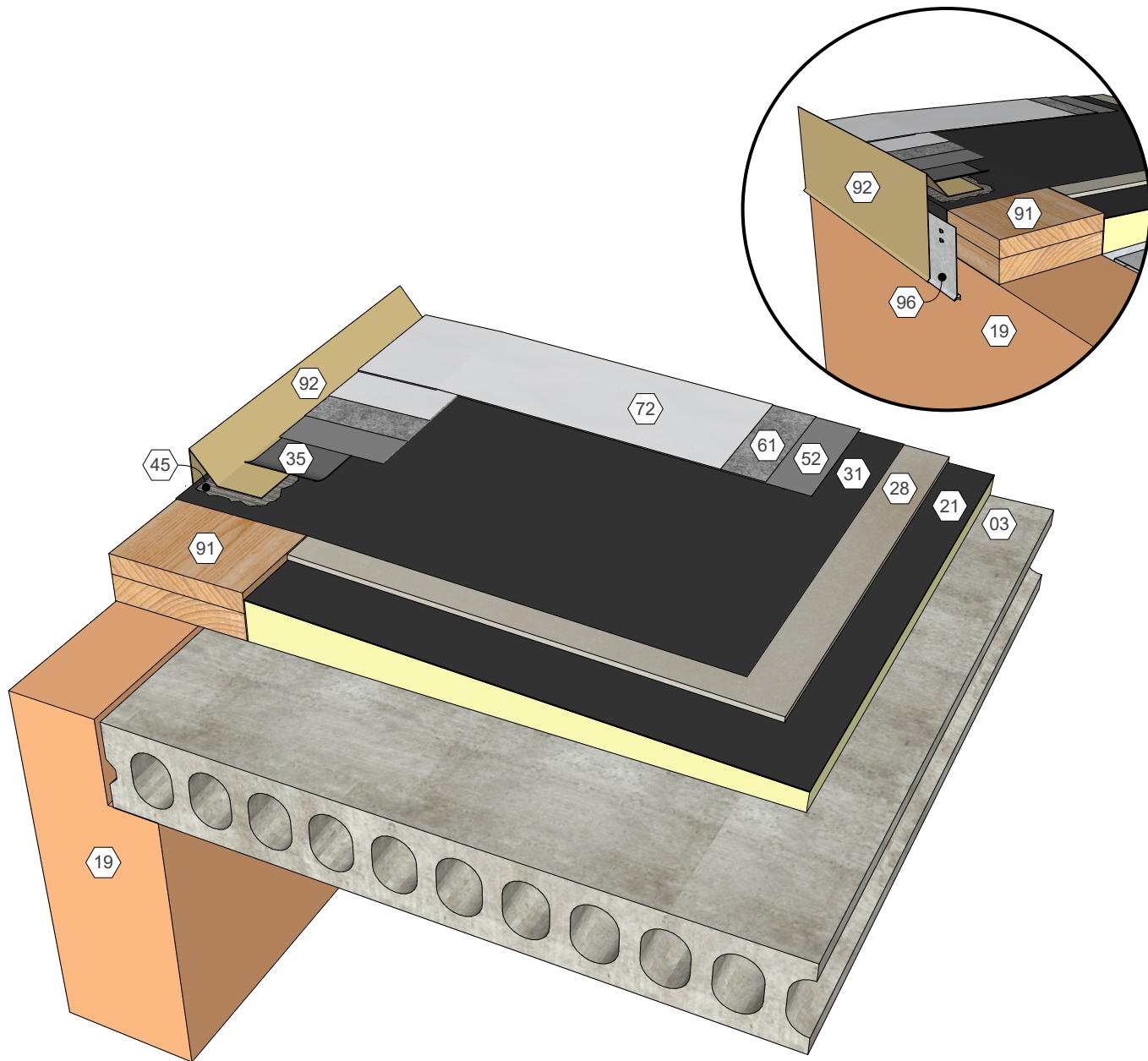
- 02 Structural Concrete Deck
- 09 Roof Structure
- 19 Wall Assembly
- 21 Polyisocyanurate Insulation (Adhered)
- 28 Cover Board (Adhered)
- 31 Approved Base Ply Sheet
- 35 Stripping Ply
- 45 Roofing Mastic
- 52 AlphaGuard BIO Base Coat
- 61 AlphaGuard Glass Mat or Permafab
- 72 AlphaGuard BIO Top Coat
- 91 Wood Blocking
- 92 Gravel Stop Edge
- 96 Cont. Cleat



AlphaGuard® BIO Plus Gravel Stop Edge Detail, Structural Concrete Deck
Detail 23032

KEY NOTES

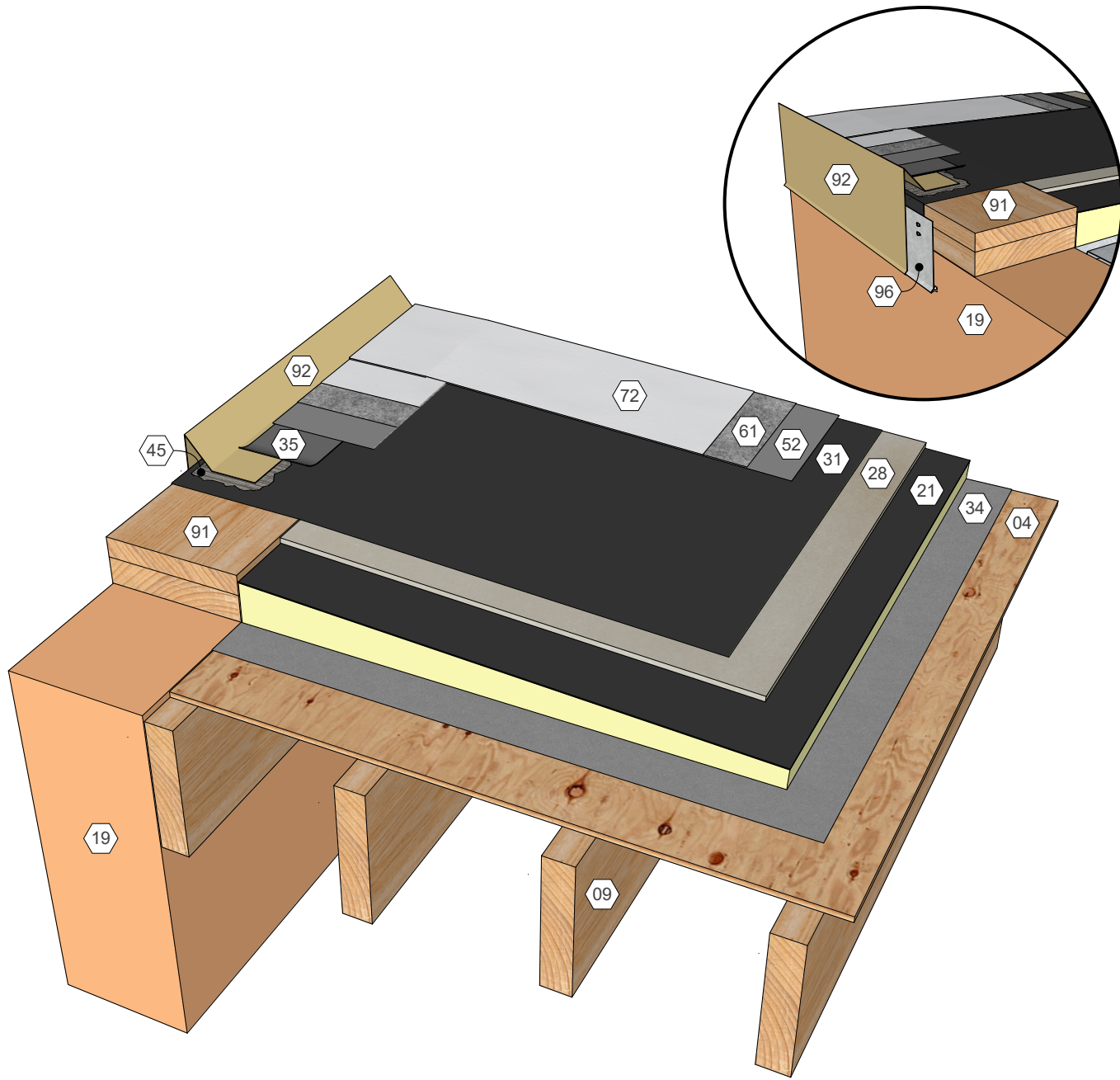
- 03 Precast Concrete Deck
- 19 Wall Assembly
- 21 Polyisocyanurate Insulation (Adhered)
- 28 Cover Board (Adhered)
- 31 Approved Base Ply Sheet
- 35 Stripping Ply
- 45 Roofing Mastic
- 52 AlphaGuard BIO Base Coat
- 61 AlphaGuard Glass Mat or Permafab
- 72 AlphaGuard BIO Top Coat
- 91 Wood Blocking
- 92 Gravel Stop Edge
- 96 Cont. Cleat



AlphaGuard® BIO Plus Gravel Stop Edge Detail, Precast Concrete Deck
Detail 23033

KEY NOTES

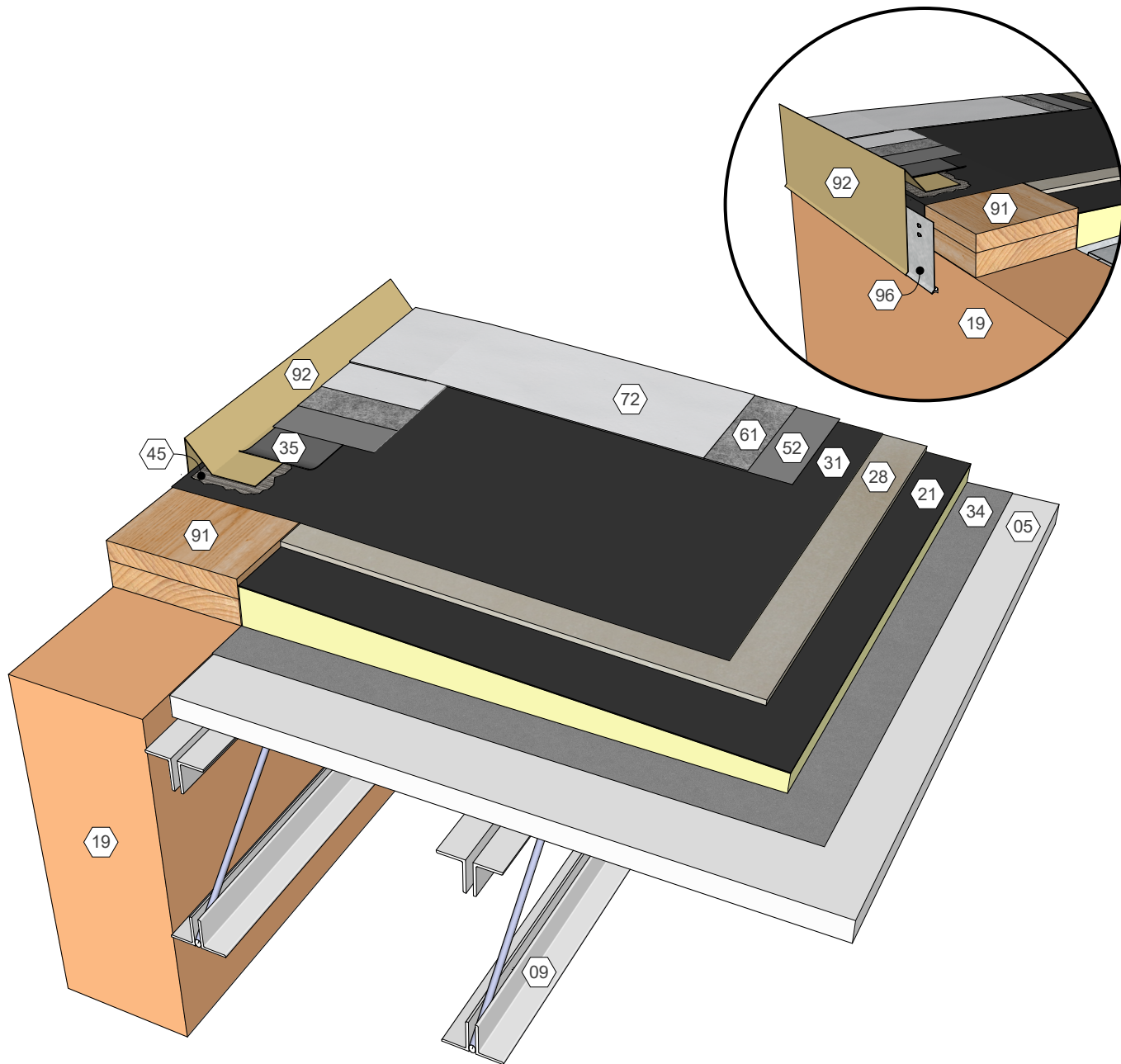
- 04 Wood Deck
- 09 Roof Structure
- 19 Wall Assembly
- 21 Polyisocyanurate Insulation (Adhered)
- 28 Cover Board (Adhered)
- 31 Approved Base Ply Sheet
- 34 Base Sheet (Fastened)
- 35 Stripping Ply
- 45 Roofing Mastic
- 52 AlphaGuard BIO Base Coat
- 61 AlphaGuard Glass Mat or Permafab
- 72 AlphaGuard BIO Top Coat
- 91 Wood Blocking
- 92 Gravel Stop Edge
- 96 Cont. Cleat



AlphaGuard® BIO Plus Gravel Stop Edge Detail, Wood Deck
Detail 23034

KEY NOTES

- 05 Gypsum Deck
- 09 Roof Structure
- 19 Wall Assembly
- 21 Polyisocyanurate Insulation (Adhered)
- 28 Cover Board (Adhered)
- 31 Approved Base Ply Sheet
- 34 Base Sheet (Fastened)
- 35 Stripping Ply
- 45 Roofing Mastic
- 52 AlphaGuard BIO Base Coat
- 61 AlphaGuard Glass Mat or Permafab
- 72 AlphaGuard BIO Top Coat
- 91 Wood Blocking
- 92 Gravel Stop Edge
- 96 Cont. Cleat



AlphaGuard® BIO Plus Gravel Stop Edge Detail, Gypsum Deck
Detail 23035